



TM.E. S.p.A. - Termomeccanica Ecologia



Integrated system for the production of electricity through the exploitation of landfill biogas

Giugliano in Campania (NA) - Italy



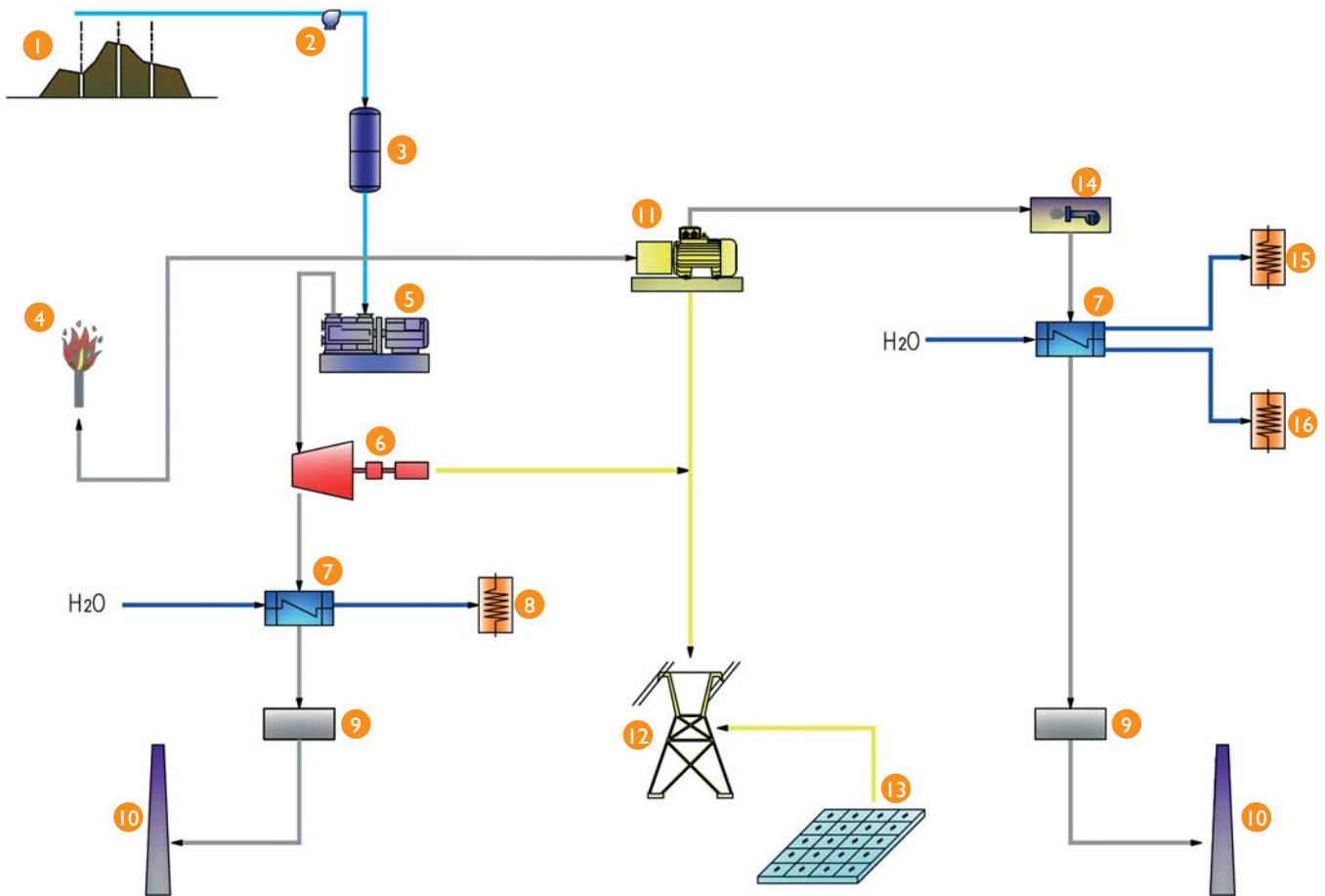
The plant is designed for recovering energy from the biogas created in the landfills of Masseria del Pozzo and Schiavi in the municipality of Giugliano in Campania.

Electricity is generated by four gas engines, one gas turbine and photovoltaic modules, for a total power of 7MW.



Energy and waste division





Legend

- ① Landfill and collecting pits
- ② Biogas extractor fan
- ③ Gas treatment system
- ④ Emergency combustion system
- ⑤ Screw compression system
- ⑥ Gas turbine
- ⑦ Recovery boiler
- ⑧ Thermal facilities
- ⑨ Flue gas analysis
- ⑩ Stack
- ⑪ Gas engine and electric generator
- ⑫ Electric power transferred to the National Electricity Board (ENEL) network
- ⑬ Photovoltaic modules
- ⑭ Thermal reactor
- ⑮ Leachate treatment plant
- ⑯ Air-conditioning unit

Main data of the plant

Number of gas collecting pits	220
Gas extraction capacity	6.000 Nm ³ /h



T.M.E. S.p.A. - Termomeccanica Ecologia

Registered office: Via Lodovico Mancini, 5 - 20129 Milano - Italy
 Head office: Via del Molo, 3 - 19126 La Spezia - Italy
 Tel. +39.0187.5521 - Fax +39.0187.552215
 www.termomeccanica.com • e-mail: tme@termomeccanica.com